

The new Eye-Sight series serves security professionals seeking a professional line featuring outstanding image quality, full connectivity, and enhanced video analytics functions based on **artificial intelligence**.

DMA-340IPEN-28

10M IR 4MP DDA ANALYTICS FIXED LENS MINI DOME ANTI-VANDAL CAMERA

The DMA-340IPEN-28 camera has a 2.8mm fixed lens and a protective dome. With its 11cm diameter, this 4MP mini-dome camera is designed for short-distance surveillance (up to 10m) in indoor scenarios. The vandal-proof IK10 protection makes it extremely hard to sabotage. The camera offers broad possibilities for Analytics, from Face Detection to the outstanding DDA Analytics (Detect, Distinguish, Alert), which can perform object recognition and object counting. With various detection rules and triggers, this camera is the perfect solution for ending false alarms.



MAIN FEATURES

- 4MP
- NDAA EYE-SIGHT
- 2592×1520 Resolution
- Wide field of view 96°
- 3D-DNR
- IK10
- Mini Dome
- DDA Analytics
- Audio in + Built-in microphone

ANALYTICS

- Object Detection (Sterile Area, Line Crossing, Object Counting),
- Face Detection (10 Faces per frame)
- Camera Tampering



SPECIFICATIONS

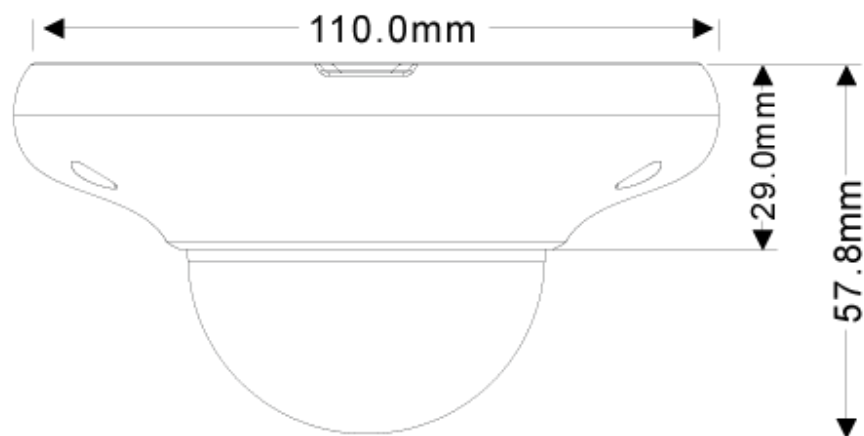
Image Sensor	1/3" CMOS (16:9)
Effective Pixels	2592X1520
Electronic Shutter	1/25s ~ 1/100000s
Frame Rate	1-25/30FPS In Normal Mode. 1-50/60FPS in HFR Mode***
Day & Night	ICR
Min. Illumination	Day: 0.1lux / Night: 0.005lux (@F1.6, AGC on) 0lux with IR on
Audio compression	G.711A/G.711U
Communication	One-way Audio
Image Settings	AWB, AGC Adjustable, Exposure Mode (Auto) Sharpness, Saturation, Brightness & Contrast Adjustable
Image Enhancement	True WDR (120dB), BLC, HLC, ROI
Noise Reduction	3D-DNR
Image Orientation	Mirror/Flip
Privacy Zone	Yes
Motion Detection	Yes
Analytics	Object Detection (Sterile Area, Line Crossing, Object Counting), Face Detection (10 Faces per frame), Camera Tampering
Video Compression	H.265S/H.264S*, H.265+/H.264+/H.265/H.264/MJPEG
Resolution	4MP / 2K / 3MP / 2MP / 1MP / D1 / QVGA / CIF
Multi-Stream	Master Stream: 4MP(2592x1520) / 2K (2560x1440) / 3MP / 2MP / 1MP Substream: 1MP/QVGA/D1/CIF Third Stream: QVGA/D1/CIF (1~30fps)
Bit rate	64Kbps ~ 7Mbps@H.265 / 64Kbps ~ 8Mbps@H.264
Encode Mode	VBR/CBR
Image Quality	Five levels under VBR; Free adjustment under CBR
IR Distance	10m (2 High-Power IR LED)
Lens (Field of View)	2.8mm (96°)

*Main Stream Only

SPECIFICATIONS

Iris	Fixed Iris
Lens Mount	M12 mount
Protection Rate	Vandal Proof: IK10
Bracket	3-Axis Gimbal
Dimensions	Φ110mm×57.8mm
Weight (gross)	350g
Network	RJ45 (+PoE)
Power	DC Socket
Analog Video Output	No
Audio Connectivity	Built-in Microphone + Audio Input
SD Card	Event/Schedule based Main/Substream recording (Up to 128Gb)
Hard Reset Button	No
Alarm	No
Remote Monitoring	IE Browsing, VMS Software, Provision Cam2 Mobile App
User Access	Supports simultaneous monitoring of up to 4 users with multi-stream real-time transmission
Network Protocol	TCP/IP, UDP, DHCP, NTP, RTSP, PPPoE, DDNS, SMTP, FTP, SNMP, 802.1X, Multicast, QoS
ONVIF	Yes
Ethernet	100Mbps
PoE	Yes
Power Supply	DC12V/~340mA / PoE/~4.7W
Work Environment	-30°C~50°C, 10%~90% Humidity
Junction Box	PR-WB-A - PR-B10BJB

DIMENSIONS



ACCESSORIES



PR-B10BJB



PR-WB-A