

## DS-2XS6A25G0-I/CH20S40

### EXIR Fixed Bullet Solar Power 4G Network Camera Kit



It can be used in the areas that are not suitable for laying wired network and electric supply lines, or used for the scenes that feature tough environment and have high demanding for device stability. It can be used for monitoring the farms, electric power cables, water and river system, oil pipelines and key forest areas. It also can be used in the temporary monitoring scenes, such as the large-scale competitions, the sudden public activity, the temporary traffic control and the city construction.

- High quality imaging with 2 MP(1920 × 1080 @30 fps) resolution
- Clear imaging against strong back light due to 120 dB true WDR technology
- The camera battery can work up to seven days in rainy or cloudy days if it is fully charged
- 40 W photovoltaic panel, 20 Ah chargeable lithium battery
- Support battery management, battery display, battery high-low temperature protection, charge-discharge protection, low-battery sleep protection and remote wakeup
- LTE-TDD/LTE-FDD/WCDMA/GSM 4G wireless network transmission, support Micro SIM card
- Camera: Water and dust resistant (IP67)



## ▪ Specification

| Camera                      |  |
|-----------------------------|--|
| Image Sensor                | 1/2.8" Progressive Scan CMOS   |
| Min. Illumination           | Color: 0.004 Lux @ (F1.4, AGC ON) ,<br>B/W: 0.002 Lux @ (F1.4, AGC ON), 0 Lux with IR on   |
| Shutter Speed               | 1 s to 1/100,000 s   |
| Slow Shutter                | Yes  |
| P/N                         | P/N  |
| Wide Dynamic Range          | 120 dB   |
| Day & Night                 | IR cut filter  |
| Lens                        |  |
| Lens Type                   | Fixed Focus Lens   |
| Lens Type & FOV             | 2.8 mm @F1.4: Horizontal FOV: 107°, vertical FOV: 57°, diagonal FOV: 128°<br>4 mm @F1.4: Horizontal FOV: 86°, vertical FOV: 46°, diagonal FOV: 102°<br>8 mm @F1.6: Horizontal FOV: 41°, vertical FOV: 22°, diagonal FOV: 47° |
| Lens Mount                  | M12  |
| DORI                        |  |
| DORI                        | 2.8 mm: D 44 m / O 17.5 m / R 9 m / I 4.5 m<br>4 mm: D 53 m / O 21 m / R 11 m / I 5 m<br>8 mm: D 110 m / O 44 m / R 22 m / I 11 m  |
| Illuminator                 |  |
| IR Range                    | Up to 30m  |
| Wavelength                  | 850nm  |
| Smart Supplement Light      | Yes  |
| Video                       |  |
| Max. Resolution             | 1920 × 1080  |
| Main Stream                 | 50Hz: 25fps (1920 × 1080, 1280 × 960, 1280 × 720)<br>60Hz: 30fps (1920 × 1080, 1280 × 960, 1280 × 720)   |
| Sub-Stream                  | 50Hz: 25fps (704 × 576, 640 × 480)<br>60Hz: 30fps (704 × 480, 640 × 480)   |
| Third Stream                | 50Hz: 1fps (1280 × 720, 640 × 480)<br>60Hz: 1fps (1280 × 720, 640 × 480)   |
| Video Compression           | Main stream: H.265+/H.265/H.264+/ H.264<br>Sub-stream: H.265/H.264/MJPEG<br>Third stream: H.265/H.264  |
| Video Bit Rate              | 32 Kbps to 8 Mbps  |
| H.264 Type                  | Baseline Profile/Main Profile/High Profile   |
| H.265 Type                  | Main Profile   |
| H.264+                      | Main Stream supports   |
| H.265+                      | Main Stream supports   |
| Bit Rate Control            | CBR/VBR  |
| Stream Type                 | Main stream/Sub-stream/third stream  |
| Scalable Video Coding (SVC) | H.265 and H.264 support  |

|                          |  |
|--------------------------|--|
| Region of Interest (ROI) | 4 fixed regions for each stream  |
| <b>Network</b>           |  |
| Simultaneous Live View   | Up to 6 channels   |
| API                      | Open Network Video Interface (PROFILE S, PROFILE G, PROFILE T), ISAPI, SDK, Ehome  |
| Protocols                | TCP/IP, ICMP, HTTP, HTTPS, FTP, SFTP, DHCP, DNS, DDNS, RTP, RTSP, RTCP, NTP, UPnP, SMTP, SNMP, IGMP, 802.1X, QoS, IPv6, UDP, Bonjour, SSL/TLS  |
| Smooth Streaming         | Yes  |
| User/Host                | Up to 32 users. 3 user levels: administrator, operator and user  |
| Security                 | Password protection, complicated password, HTTPS encryption, 802.1X authentication (EAP-TLS, EAP-LEAP, EAP-MD5), watermark, IP address filter, basic and digest authentication for HTTP/HTTPS, WSSE and digest authentication for Open Network Video Interface, RTP/RTSP OVER HTTPS, Control Timeout Settings, TLS 1.2 |
| Network Storage          | microSD/SDHC/SDXC card (256 GB) local storage, and NAS (NFS, SMB/CIFS), auto network replenishment (ANR) Together with high-end Hikvision memory card, memory card encryption and health detection are supported.  |
| Client                   | iVMS-4200, Hik-Connect, Hik-Central  |
| Web Browser              | Plug-in required live view: IE8+<br>Plug-in free live view: Chrome 57.0+, Firefox 52.0+, Safari 11+<br>Local service: Chrome 41.0+, Firefox 30.0+  |
| <b>4G</b>                |  |
| 4G Frequency             | LTE-TDD: Band38/40/41 ;<br>LTE-FDD: Band1/3/5/7/8/20/28 ;<br>WCDMA: Band1/5/8<br>GSM: Band3/5/8  |
| 4G Standard              | LTE-TDD/LTE-FDD/WCDMA/GSM  |
| <b>Image</b>             |  |
| Smart IR                 | The IR LEDs on camera should support Smart IR function to automatically adjust power to avoid image overexposure.  |
| Day/Night Switch         | Day, Night, Auto, Schedule   |
| Target Cropping          | Yes  |
| Picture Overlay          | LOGO picture can be overlaid on video with 128 × 128 24bit bmp format  |
| Image Enhancement        | BLC, HLC, 3D DNR, Defog  |
| Image Parameters Switch  | Yes  |
| Image Settings           | Rotate mode, saturation, brightness, contrast, sharpness, gain, white balance adjustable by client software or web browser   |
| SNR                      | ≥52dB  |
| Privacy Mask             | 4 regions of privacy mask  |
| <b>Interface</b>         |  |
| RS-485                   | 1 RS-485(half duplex)  |
| On-board Storage         | Built-in micro SD slot, up to 256GB  |
| Hardware Reset           | Yes  |
| Communication Interface  | RJ45 10M/100M self-adaptive Ethernet port  |
| 4G                       | micro SIM card   |

| Event                            |   |
|----------------------------------|---|
| Basic Event                      | Motion detection, video tampering alarm, exception (network disconnected, IP address conflict, illegal login, HDD full, HDD error)  |
| Smart Event                      | Line Crossing Detection, up to 4 regions configurable<br>Intrusion detection, up to 4 regions configurable<br>Region entrance detection, up to 4 regions configurable<br>Region exiting detection, up to 4 regions configurable<br>Unattended baggage detection, up to 4 regions configurable<br>Object removal detection, up to 4 regions configurable,<br>Scene change detection<br>The smart events are only supported in full power mode.                             |
| General                          |   |
| Linkage Method                   | Upload to FTP/NAS/memory card, notify surveillance center, send email, trigger recording, trigger capture<br>Trigger recording: memory card, network storage, pre-record and post-record<br>Trigger captured pictures uploading: FTP, SFTP, HTTP, NAS, Email<br>Trigger notification: HTTP, ISAPI, Email  |
| Online Upgrade                   | Yes   |
| Dual Backup                      | Yes   |
| Firmware Version                 | V5.5.111  |
| Web Client Language              | 33 languages<br>English, Russian, Estonian, Bulgarian, Hungarian, Greek, German, Italian, Czech, Slovak, French, Polish, Dutch, Portuguese, Spanish, Romanian, Danish, Swedish, Norwegian, Finnish, Croatian, Slovenian, Serbian, Turkish, Korean, Traditional Chinese, Thai, Vietnamese, Japanese, Latvian, Lithuanian, Portuguese (Brazil), Ukrainian   |
| General Function                 | Anti- flicker, 3 streams heartbeat, mirror, privacy masks, flash log, password reset via e-mail, pixel counter  |
| Software Reset                   | Yes   |
| Storage Conditions               | -30 °C to 60 °C. Humidity 95% or less (non-condensing)  |
| Startup and Operating Conditions | -15 °C to 55 °C. Humidity 95% or less (non-condensing)  |
| Power Supply                     | 12 VDC ± 20% ;  |
| Power Consumption and Current    | 1. The average power consumption of the 24 hours is 1.76 W (4G transmission is excluded, 50% illumination).<br>2. On rainy or cloudy day, the camera battery life is up to 5.2 days if it has been full charged (if the camera works continuously according to the 24-hour average power consumption).<br>3. The daily effective sunlight is 1.77 hour and the camera can be online always (if it works continuously according to the 24-hour average power consumption). |
| Power Interface                  | Ø5.5 mm coaxial power plug  |
| Camera Material                  | Front cover: metal; camera body: plastic  |
| Screw Material                   | SUS304  |
| Camera Dimension                 | 760 × 732.6 × 586.9 mm (29.9" × 28.8" × 23.1") (Max. size of the camera after it is completely assembled)   |
| Package Dimension                | 826 × 469 × 444 mm (32.5" × 18.5" × 17.5")  |
| Camera Weight                    | Approx. 12964g (28.58 lb.)  |

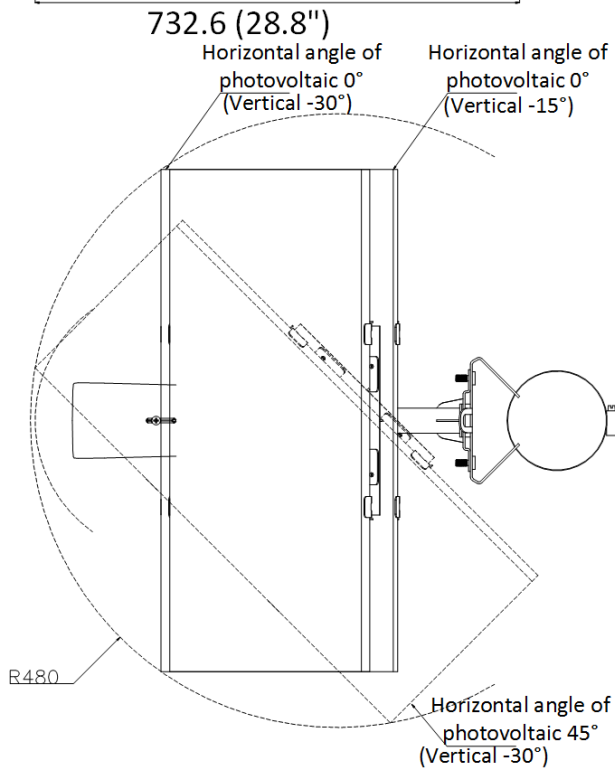
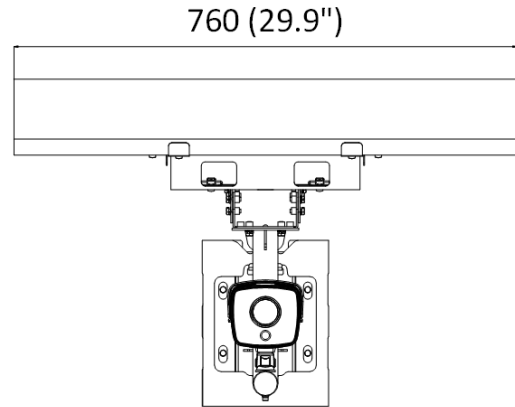
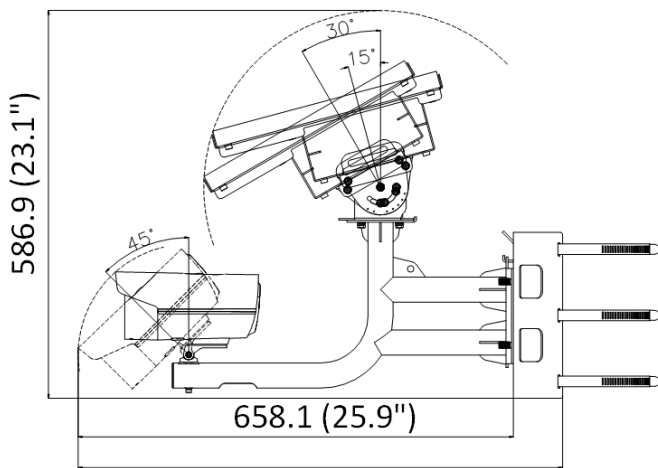
|                       |  |
|-----------------------|--|
| With Package Weight   | Approx. 16861g (37.17 lb.)   |
| <b>Battery</b>        |  |
| Battery Type          | Lithium  |
| Capacity              | 20 Ah  |
| Max. Charging Voltage | 12.6 V   |
| Operating Temperature | -20 °C to 60 °C (-4 °F to 140 °F)  |
| Battery Voltage       | 10.8V  |
| Battery Life          | More than 800 cycles   |
| <b>Approval</b>       |  |
| Class                 | Class B  |
| EMC                   | CE-EMC (EN 55032: 2015, EN 61000-3-2: 2014, EN 61000-3-3: 2013, EN 50130-4: 2011 +A1: 2014); RCM (AS/NZS CISPR 32: 2015);                  |
| RF                    | CE-RED (EN 301489-1 V2.2.3; EN 301489-52 V1.1.0; EN 62311:2008); ICASA (EN 301 489-1 V2.2.3; EN 301 489-52 V1.1.0;EN 62311:2008)           |
| Safety                | CB (IEC 60950-1:2005 + Am 1:2009 + Am 2:2013;IEC 62368-1:2014); CE-LVD (EN 60950-1:2005 + Am 1:2009 + Am 2:2013;EN 62368-1:2014+A11:2017); |
| Environment           | CE-RoHS (2011/65/EU); WEEE (2012/19/EU); Reach (Regulation (EC) No 1907/2006)  |
| Protection            | Camera: IP67(IEC 60529-2013)   |

*\*You are recommended to charge the solar panel for 12 hours before the installation in case the camera cannot start up due to the low battery.*

#### ▪ Available Model

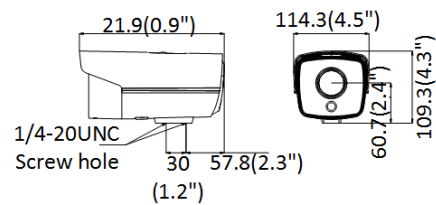
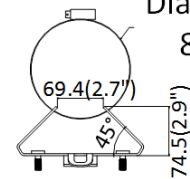
DS-2XS6A25G0-I/CH20S40

#### ▪ Dimension



Pole Mount

Diameter range:  
80~200mm



Camera  
Direction

Unit: mm (inch)

Distributed by

**HIKVISION®****Headquarters**

No.555 Qianmo Road, Binjiang District,  
Hangzhou 310051, China  
T +86-571-8807-5998  
overseasbusiness@hikvision.com

**Hikvision USA**  
T +1-909-895-0400  
sales.usa@hikvision.com

**Hikvision Australia**  
T +61-2-8599-4233  
salesau@hikvision.com

**Hikvision India**  
T +91-22-28469900  
sales@pramahikvision.com

**Hikvision Canada**  
T +1-866-200-6690  
sales.canada@hikvision.com

**Hikvision Thailand**  
T +662-275-9949  
sales.thailand@hikvision.com

**Hikvision Europe**  
T +31-23-5542770  
sales.eu@hikvision.com

**Hikvision Italy**  
T +39-0438-6902  
info.it@hikvision.com

**Hikvision Brazil**  
T +55 11 3318-0050  
Latam.support@hikvision.com

**Hikvision Turkey**  
T +90 (216)521 7070- 7074  
sales.tr@hikvision.com

**Hikvision Malaysia**  
T +601-7652-2413  
sales.my@hikvision.com

**Hikvision UK & Ireland**  
T +01628-902140  
sales.uk@hikvision.com

**Hikvision South Africa**  
Tel: +27 (10) 0351172  
sale.africa@hikvision.com

**Hikvision France**  
T +33(0)1-85-330-450  
info.fr@hikvision.com

**Hikvision Kazakhstan**  
T +7-727-9730667  
nikia.panfilov@hikvision.ru

**Hikvision Vietnam**  
T +84-974270888  
sales.vt@hikvision.com

**Hikvision UAE**  
T +971-4-4432090  
salesme@hikvision.com

**Hikvision Singapore**  
T +65-6684-4718  
sg@hikvision.com

**Hikvision Spain**  
T +34-91-737-16-55  
info.es@hikvision.com

**Hikvision Tashkent**  
T +99-87-1238-9438  
uzb@hikvision.ru

**Hikvision Hong Kong**  
T +852-2151-1761  
info.hk@hikvision.com

**Hikvision Russia**  
T +7-495-669-67-99  
saleru@hikvision.com

**Hikvision Korea**  
T +82-(0)31-731-8817  
sales.korea@hikvision.com

**Hikvision Poland**  
T +48-22-460-01-50  
info.pl@hikvision.com

**Hikvision Indonesia**  
T +62-21-2933759  
Sales.Indonesia@hikvision.com

**Hikvision Colombia**  
sales.colombia@hikvision.com